



**Vestil Manufacturing Co.**  
 2999 North Wayne Street, P.O. Box 507, Angola, IN 46703  
 Telephone: (260) 665-7586 -or- Toll Free (800) 348-0868  
 Fax: (260) 665-1339  
 Web: [www.vestilmfg.com](http://www.vestilmfg.com) e-Mail: [info@vestil.com](mailto:info@vestil.com)

## CYL-LT-1-HR & CYL-LT-1-PN Cylinder Lifts Instruction Manual



### Receiving Instructions

After delivery, remove the packaging from the product. Inspect the product closely to determine whether it sustained damage during transport. If damage is discovered, record a complete description of it on the bill of lading. If the product is undamaged, discard the packaging.

**NOTE:** The end-user is solely responsible for confirming that product design, use, and maintenance comply with laws, regulations, codes, and mandatory standards applied where the product is used.

### Technical Service & Replacement Parts

For answers to questions not addressed in these instructions and to order replacement parts, labels, and accessories, call our Technical Service and Parts Department at (260) 665-7586. The department can also be contacted online at [http://www.vestilmfg.com/parts\\_info.htm](http://www.vestilmfg.com/parts_info.htm).

### Electronic copies of Instruction Manuals

Additional copies of this instruction manual may be downloaded from <https://www.vestil.com/page-manuals.php>.

### Table of Contents

Specifications.....	2
Signal Words.....	2
Safety Instructions.....	2
FIG. 1: CYL-LT-1-HR exploded view & bill of materials.....	3
FIG. 2: CYL-LT-1-PN exploded view & bill of materials.....	4
Using the Lifter.....	5
Record of Satisfactory Condition.....	6
Inspections & Maintenance.....	6
Labeling Diagram.....	6
Limited Warranty.....	7

# SPECIFICATIONS

Dimensions, capacity, and net weight information appears in the following table:

Model	Wheel type	Overall dimensions (W X D x H)	Uniform capacity	Net weight
CYL-LT-1-HR	Hard rubber	18in. x 24in. x 80in. 46cm x 61cm x 203cm	300 lb. 136.4kg	97 lb. 44.1 kg
CYL-LT-1-PN	Pneumatic	18in. x 24in. x 80in. 46cm x 61cm x 203cm	300 lb. 136.4kg	93 lb. 42.3 kg



## SIGNAL WORDS

This manual uses SIGNAL WORDS to draw attention to uses of the product that could result in personal injuries, as well as the probable seriousness of those injuries. Other signal words call attention to uses likely to cause property damage. Signal words used in this manual appear below along with the definition of each word.



Identifies a hazardous situation which, if not avoided, WILL result in DEATH or SERIOUS INJURY. Use of this signal word is limited to the most extreme situations.



Identifies a hazardous situation which, if not avoided, COULD result in DEATH or SERIOUS INJURY.



Identifies practices likely to result in product/property damage, such as operation that might damage the product.

## SAFETY INSTRUCTIONS

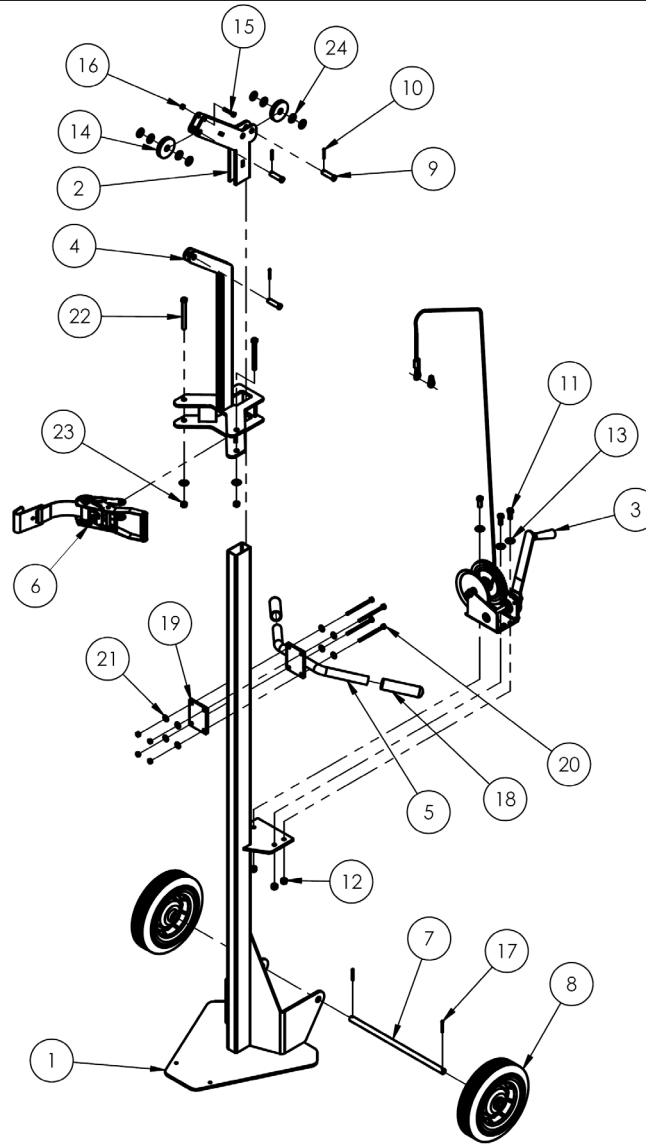
Vestil strives to identify all foreseeable hazards associated with the use of its products. However, material handling is dangerous and no manual can address every conceivable risk. Ultimately, the most effective way to prevent injury is to apply sound judgment whenever using this device.



Material handling is dangerous and could result in serious personal injuries or death.

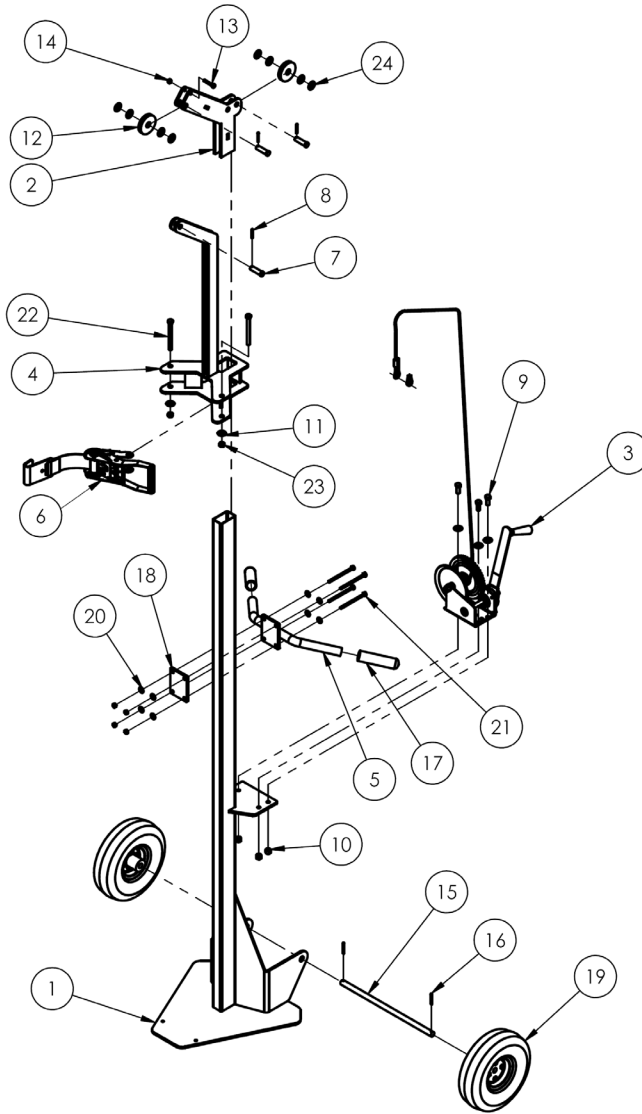
- **Read and understand the entire manual before using or servicing this lifter.** DO NOT use this device until you read and understand the entire instruction manual. Read the manual to refresh your understanding of proper use and maintenance procedures.
- This lifting device must only be used by designated persons and lifting device inspectors. Maintenance and test personnel should only use this device when necessary to perform their duties.
- DO NOT use this lifter if it is damaged, malfunctioning, or missing parts.
- DO NOT modify the product in any way without first obtaining written approval from Vestil. Unapproved modifications automatically void the **LIMITED WARRANTY** and might make the product unsafe to use.
- DO NOT exceed the capacity.
- DO NOT remove or obscure any label. Confirm the placement and legibility of all labels shown in the **LABELING DIAGRAM** on p. 6. DO NOT use this device UNLESS all labeling is easily readable from a reasonable distance.
- Inspect the lifter before each use. See **INSPECTIONS AND MAINTENANCE** on p. 6. If repairs are necessary, only use manufacturer-approved replacement parts.
- DO NOT use the lifter to transport any cylinder that does not seat securely in the brackets. DO NOT transport a cylinder unless it is securely held by the ratchet strap. The cylinder should not be able to slide through the strap.
- ONLY raise the cylinder a few inches from the floor when transporting it. When transporting a cylinder up-or-downhill, always remain uphill to the lifter. DO NOT move the lifter up or downhill unless you can easily control the lifter. Although the CYL-HLT is equipped with 2 locking casters, these locks will NOT hold the lifter in place on an incline and will not stop the lifter as it rolls downhill.
- DO NOT leave a raised cylinder unattended. ALWAYS lower the cylinder before leaving it.
- DO NOT store cylinders on the lifter. Unload the lifter and store cylinders in designated facilities.

**FIG. 1: CYL-LT-1-HR**  
 Exploded Parts Diagram &  
 Bill of Materials  
 16-006-194



Item	Part no.	Description	Qty.	Item	Part no.	Description	Qty.
1	16-514-133	Weldment, base, upright	1	13	33008	Flat washer, low carbon, USS, zinc plated, $\frac{3}{8}$ "	5
2	16-527-008	Weldment, pulley assembly	1	14	99-027-005	Pulley, $\frac{3}{16}$ " cable, $2\frac{1}{2}$ " OD, $\frac{1}{2}$ " ID	2
3	16-542-001	Assembly, winch and wire	1	15	11009	Hex bolt, gr. A, zinc plated, $\frac{1}{4}$ "-20 x $1\frac{1}{2}$ "	1
4	16-514-134	Weldment, strap height adjuster	1	16	37018	Nylon lock nut, gr. 2, zinc finish, $\frac{1}{4}$ "-20	5
5	16-525-033	Weldment, handle	1	17	65078	Extended prong cotter pin, zinc finish, $\frac{1}{8}$ " x $1\frac{1}{2}$ "	2
6	30-001-246	Strap, dual ratchet strap	1	18	13-025-037	Handle, black, 1" ID	2
7	16-112-019	Axle, CYL-D, BFSJ-KIT-A8.625	1	19	16-016-104	Bracket, handle, mounting	1
8	16-132-310	Wheel, 10" x 2.5", 16mm steel hub	2	20	11019	Hex bolt, gr. A, zinc plated, $\frac{1}{4}$ "-20 x 4"	4
9	21-112-003	Pin, $\frac{1}{2}$ " x $1\frac{15}{16}$ " retaining clevis	3	21	33004	Flat washer, USS, zinc plated, $\frac{1}{4}$ "	8
10	65077	Cotter pin, zinc plated, $\frac{1}{8}$ " x $1\frac{1}{4}$ "	3	22	11119	Hex bolt, gr. A, zinc finish, $\frac{3}{8}$ "-16 x 4"	2
11	11105	Hex bolt, gr. A, zinc-plated, $\frac{3}{8}$ " - 16 x 1"	3	23	36106	Hex nut, gr. A, zinc plated, $\frac{3}{8}$ "-16	2
12	37024	Lock nut, Nylon insert, $\frac{3}{8}$ "-16	3	24	33086	Flat washer, zinc plated, SAE, $\frac{1}{2}$ "-1.062" OD	8

**FIG. 2: CYL-LT-1-PN**  
 Exploded Parts Diagram &  
 Bill of Materials  
 16-007-195

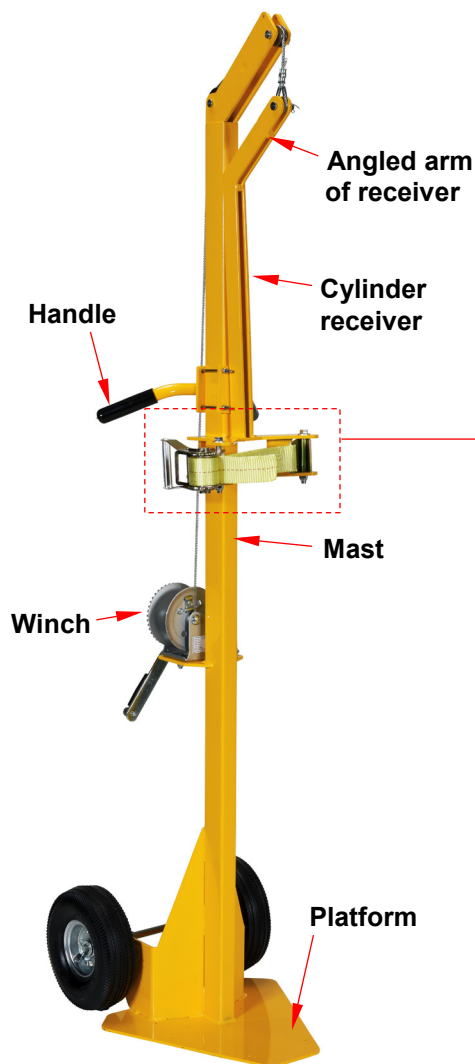


Item	Part no.	Description	Qty.	Item	Part no.	Description	Qty.
1	16-514-133	Weldment, base, upright	1	13	11009	Hex bolt, gr. A, zinc plated, 1/4"-20 x 1 1/2"	1
2	16-527-008	Weldment, pulley assembly	1	14	37018	Nylon lock nut, gr. 2, zinc finish, 1/4"-20	5
3	16-542-001	Assembly, winch and wire	1	15	16-112-019	Axle, CYL-D, BFSJ-KIT-A8.625	1
4	16-514-134	Weldment, strap height adjuster	1	16	65078	Extended prong cotter pin, zinc finish, 1/8" x 1 1/2"	2
5	16-525-033	Weldment, handle	1	17	13-025-037	Handle, black, 1" ID	2
6	30-001-246	Strap, dual ratchet strap	1	18	16-016-104	Bracket, handle, mounting	1
7	21-112-003	Pin, 1/2" x 1 15/16" retaining clevis	3	19	16-132-276	Wheel, 10" x 3.5", pneumatic wheel for 5/8" axle	2
8	65077	Cotter pin, zinc plated, 1/8" x 1 1/4"	3	20	33004	Flat washer, USS, zinc plated, 1/4"	8
9	11105	Hex bolt, gr. A, zinc-plated, 3/8" - 16 x 1"	3	21	11019	Hex bolt, gr. A, zinc plated, 1/4"-20 x 4"	4
10	37024	Lock nut, Nylon insert, 3/8"-16	3	22	11119	Hex bolt, gr. A, zinc finish, 3/8"-16 x 4"	2
11	33008	Flat washer, low carbon, USS, zinc plated, 3/8"	5	23	36106	Hex nut, gr. A, zinc plated, 3/8"-16	2
12	99-027-005	Pulley, 3/16" cable, 2 1/2" OD, 1/2" ID	2	24	33086	Flat washer, zinc plated, SAE, 1/2"-1.062" OD	8

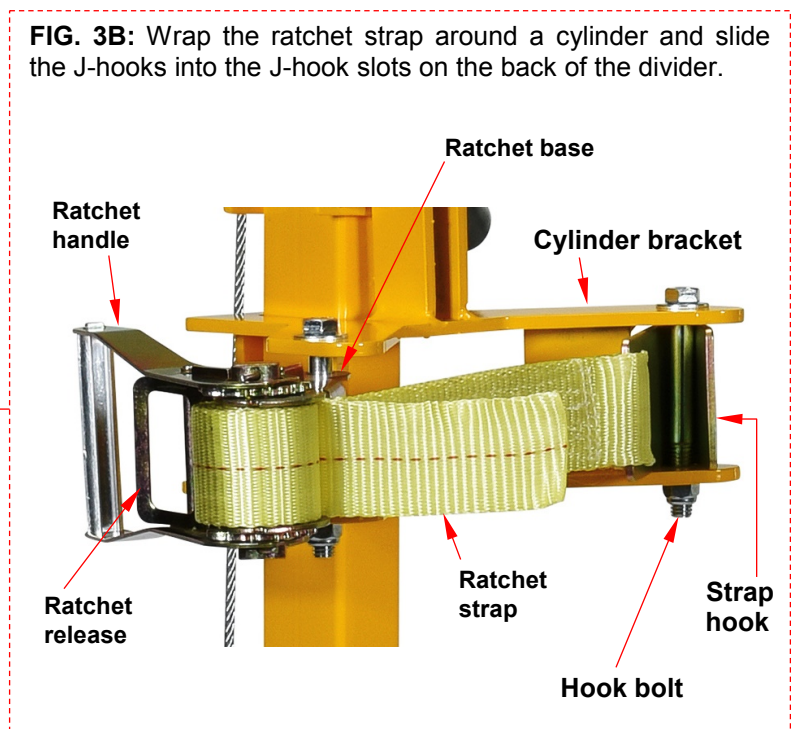
## USING THE LIFTER [Refer to FIGS. 3A and 3B; CYL-LT-1-PN shown]

1. Adjust the position of the cylinder receiver to bring the top of the cylinder close to the **angled arm of the receiver**.
2. Disconnect the **strap hook** at the end of the **ratchet strap** from the **hook bolt**.
3. Place a cylinder on the **platform**. Move the cylinder toward the **mast** until it rests against the **cylinder bracket**.
4. If necessary, extend the strap so that it is long enough to wrap around the outside of the cylinder. To extend the strap:
  - a. Pull the ratchet release toward the handle.
  - b. While holding up the release, pivot the handle approximately 180 degrees so that the ratchet handle is in line with the ratchet base.
  - c. Pull on the strap to unwind it from the spindle. When enough strap has been unwound, let go of the release lever.
5. Wrap the strap around the cylinder and connect the **strap hook** to the **hook bolt**.
6. Pivot the handle back and forth to tighten the strap against the cylinder.
7. Raise the cylinder just a few inches off of the ground by turning the winch handle. Transport the cylinder to the desired location.
8. Before releasing the cylinder, be sure that it is fully and stably supported. Release strap tension by following the procedure in step 4.

**FIG. 3A:** Noteworthy Features of Cylinder Lifter  
(Model CYL-LT-1-PN shown)



**FIG. 3B:** Wrap the ratchet strap around a cylinder and slide the J-hooks into the J-hook slots on the back of the divider.



## RECORD OF SATISFACTORY CONDITION

Record the condition of the lifter before putting it into service. Thoroughly photograph the unit from multiple angles. Include close range photos of all labeling, the cylinder receiver, the cable eyelet that attaches the cable to the top of the receiver, fasteners (bolts, nuts), winch, platform, wheels, and welds. Collate all photographs and writings into a single file. Mark the file appropriately to identify it. This file is a record of the lifter in satisfactory condition. Compare the results of all inspections to this record to determine whether the unit is in satisfactory condition. If the lifter is not in satisfactory condition, repair it before returning it to service. Purely cosmetic changes, like damaged paint/powdercoat, do not constitute changes from satisfactory condition. However, touchup paint should be applied to all affected areas as soon as cosmetic damage occurs to prevent rusting and corrosion. If left unaddressed, rusting/corrosion will alter the lifter from satisfactory condition and could make it unsafe to use.

## INSPECTIONS AND MAINTENANCE

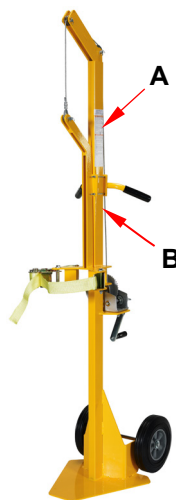
Inspections and repairs should only be performed by qualified persons. Compare the results of each inspection to the **RECORD OF SATISFACTORY CONDITION**. Do not use the lifter unless all parts are in satisfactory condition. Replace parts that are not in satisfactory condition before using the lifter again. **DON'T GUESS! If you have any questions about the condition of your lifter, contact the TECHNICAL SERVICE department.** The phone number is provided on the cover page of this manual. Never make temporary repairs of damaged or missing parts. Only use manufacturer-approved replacement parts.

At least once per month:

- Examine the frame elements (mast, platform, handle, cylinder receiver) for cracked welds, metal fatigue, rust, and corrosion that affect the structural integrity of the lifter. The structure should be clean, square and rigid, and free of rust and corrosion. Remove dirt and debris.
- Inspect the winch and cable. Pulleys should roll smoothly as cable passes over them. The cable should be free of elongations, bird-caging, thinned regions, and broken strands. The winch should turn smoothly in both directions and ratchet normally. A brake should automatically apply whenever the winch handle is stationary, i.e. the cylinder receiver should maintain position. The winch should be solidly fastened to the frame of the lifter.
- Check the ratchet and ratchet strap. Confirm normal operation and condition. If either the strap or the ratchet is damaged, tag the unit out of service and install manufacturer-approved replacement parts.
- Wheels. Confirm that each wheel rotates smoothly and is securely fastened to the lifter. The wheel material should not be cracked, warped, dry rotted, etc.
- Labels: Confirm that every label shown in the **LABELING DIAGRAM** is in place, undamaged, and easily readable from a reasonable distance.

## LABELING DIAGRAM

The unit should be labeled as shown in the diagram. However, label content and location are subject to change so your product might not be labeled exactly as shown. Replace all labels that are damaged, missing, or not easily readable (e.g. faded). To order replacement labels, contact the technical service and parts department online at [http://www.vestilmfg.com/parts\\_info.htm](http://www.vestilmfg.com/parts_info.htm). Alternatively, you may request replacement parts and/or service by calling (260) 665-7586 and asking the operator to connect you to the Parts Department.



### A: Label 728

#### ▲WARNING

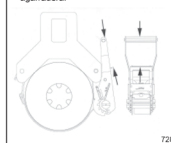
Mishandling or careless handling of compressed gas cylinders might result in serious personal injuries.

- Inspect winch, cable, cylinder cradle, ratchet and strap for damage or excessive wear before each use.
- DO NOT use if damaged.
- DO NOT leave a raised cylinder unattended or attempt to transport a raised cylinder. Cylinder should rest firmly on lifter base.
- DO NOT store cylinders on lifter.
- To release ratchet, squeeze release lever and swing handle.

#### ▲AVISO

El uso incorrecto o el manejo de los cilindros de gas comprimidos pueden resultar en daños personales severos.

- Inspeccione la llave, el cable, la cuna del cilindro, y amarres por daños o uso excesivos antes de usarlos.
- NO USE si esta dañado.
- No deje el cilindro sin atención cuando este en la posición elevada. El cilindro tiene que estar firme sobre la base del levantador.
- No almacene los cilindros en la levandador.
- Para soltar el agarre, oprima la palanca de agarre y manejar la agarradera.



### B (Label 287)

MODEL/MODELO/MODELE	_____	lbs.
STATIC CAPACITY (evenly distributed)	_____	lbs.
LA CAPACIDAD CONSTANTE (distribuida uniformemente)	_____	kgs.
CAPACITE STATIQUE (distribuee regulierement)	_____	kgs.
SERIAL/SERIE/SERIE	_____	

287 REV 01/12

## LIMITED WARRANTY

Vestil Manufacturing Corporation (“Vestil”) warrants this product to be free of defects in material and workmanship during the warranty period. Our warranty obligation is to provide a replacement for a defective, original part covered by the warranty after we receive a proper request from the Warrantee (you) for warranty service.

### Who may request service?

Only a warrantee may request service. You are a warrantee if you purchased the product from Vestil or from an authorized distributor AND Vestil has been fully paid.

### Definition of “original part”?

An original part is a part used to make the product as shipped to the Warrantee.

### What is a “proper request”?

A request for warranty service is proper if Vestil receives: 1) a photocopy of the Customer Invoice that displays the shipping date; AND 2) a written request for warranty service including your name and phone number. Send requests by one of the following methods:

<u>US Mail</u>	<u>Fax</u>	<u>Email</u>
Vestil Manufacturing Corporation 2999 North Wayne Street, PO Box 507 Angola, IN 46703	(260) 665-1339 <u>Phone</u> (260) 665-7586	<a href="mailto:info@vestil.com">info@vestil.com</a> Enter “Warranty service request” in subject field.

In the written request, list the parts believed to be defective and include the address where replacements should be delivered. After Vestil receives your request for warranty service, an authorized representative will contact you to determine whether your claim is covered by the warranty. Before providing warranty service, Vestil will require you to send the entire product, or just the defective part (or parts), to its facility in Angola, IN.

### What is covered under the warranty?

The warranty covers defects in the following original, dynamic parts: motors, hydraulic pumps, motor controllers, and cylinders. It also covers defects in original parts that wear under normal usage conditions (“wearing parts”), such as bearings, hoses, wheels, seals, brushes, and batteries.

### How long is the warranty period?

The warranty period for original dynamic components is 90 days. For wearing parts, the warranty period is 90 days. Both warranty periods begin on the date Vestil ships the product to the Warrantee. If the product was purchased from an authorized distributor, the periods begin when the distributor ships the product. Vestil may, at its sole discretion, extend a warranty period for products shipped from authorized distributors by up to 30 days to account for shipping time.

### If a defective part is covered by the warranty, what will Vestil do to correct the problem?

Vestil will provide an appropriate replacement for any *covered* part. An authorized representative of Vestil will contact you to discuss your claim.

### What is not covered by the warranty?

The Warrantee (you) is responsible for paying labor costs and freight costs to return the product to Vestil for warranty service.

### Events that automatically void this Limited Warranty.

- Misuse;
- Negligent assembly, installation, operation or repair;
- Installation/use in corrosive environments;
- Inadequate or improper maintenance;
- Damage sustained during shipping;
- Collisions or other accidents that damage the product;
- Unauthorized modifications: Do not modify the product IN ANY WAY without first receiving written authorization from Vestil.

### Do any other warranties apply to the product?

Vestil Manufacturing Corp. makes no other express warranties. All implied warranties are disclaimed to the extent allowed by law. Any implied warranty not disclaimed is limited in scope to the terms of this Limited Warranty. Vestil makes no warranty or representation that this product complies with any state or local design, performance, or safety code or standard. Noncompliance with any such code or standard is not a defect in material or workmanship.

