

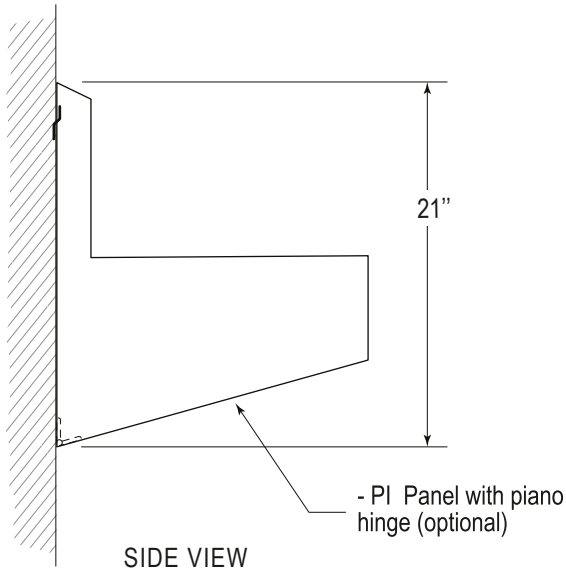
## DESCRIPTION

Stainless steel drinking fountain, grade 304, finish # 4, gauge # 14, for 3 users, including wall bracket, bubbler(s) and 1 ½ in Ø drain

### Meets standards :

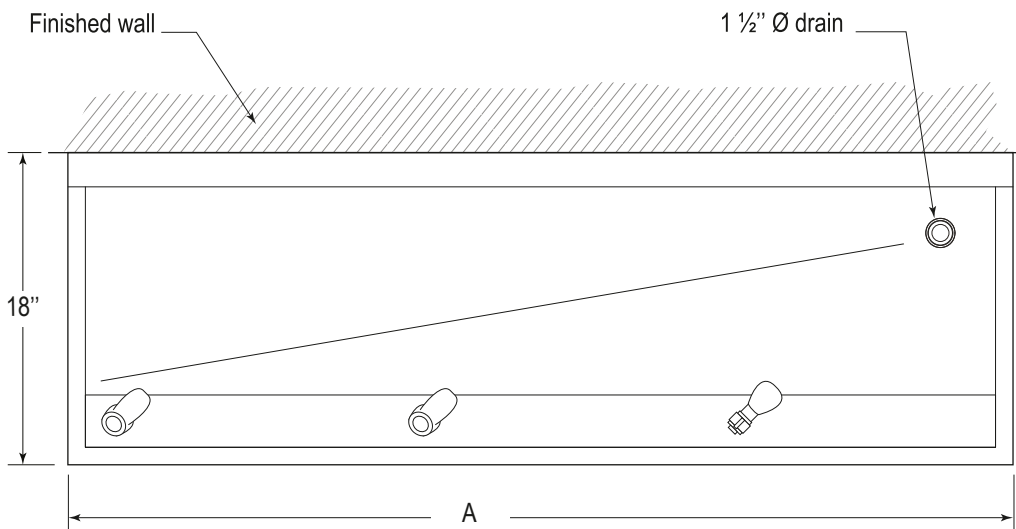
ASME A112.19.3 / CSA B45.4-08 (R2013)

CSAB125.1, NSF/ANSI 61



Standard models	Number of bubblers	A Length	
		in	mm
CA-FAI542118	3	54	1372

*Note: This dimension is nominal, the exact dimension of construction should be verified by the contractor.*



PLAN VIEW