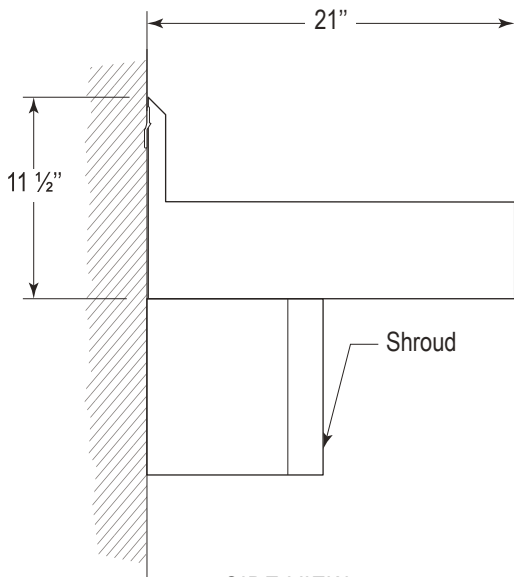


**DESCRIPTION**

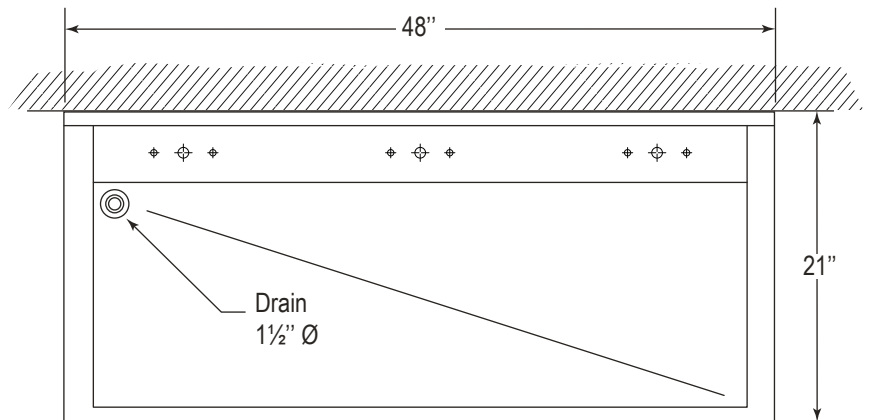
Stainless steel wall hung wash station for 2 users, type 304, satin finish, 14 gauge, rear faucet ledge (drillings according to faucet requirement), 1 1/2 in diam. drain, complete with wall anchor.

Dimensions : 48" X 11½" X 21"

**Meet Standard :**  
**ASME A112.19.3-2008/CSA B45.4-08 (R2013)**



SIDE VIEW



TOP VIEW