



# Z5320

## 23" x 21-1/2" Wall Hung Wheelchair Lavatory

TAG \_\_\_\_\_

### Architectural/Engineering Specification:

23" x 21-1/2" vitreous china wall hung lavatory. Provided with holes for concealed arm carrier systems.

### Product Features:

- 23" [584 mm] x 21-1/2" [546 mm]
- Vitreous china
- Faucet holes for single, 4", or 8" centers
- Available with right or left side soap hole punching (Single centers only)
- Designed for convenient access by wheelchairs
- Wall hung lavatory for use with concealed arm carrier system
- Front overflow
- Waste: 1-1/4" O.D.
- Depth: 3-1/2"
- Shipping weight: 39 lbs

### Suffix Options:

- LS Left Side Soap Hole (Z5321 only)
- RS Right Side Soap Hole (Z5321 only)
- N Less Front Overflow Hole

### Recommended Trim:

- Z8743-PC Grid Strainer
- Z8700 Series P-Trap
- Z8800 Series Top with Flexible Supplies
- Z8946-1-NT ADA Trap, Stop, and Supply Protectors

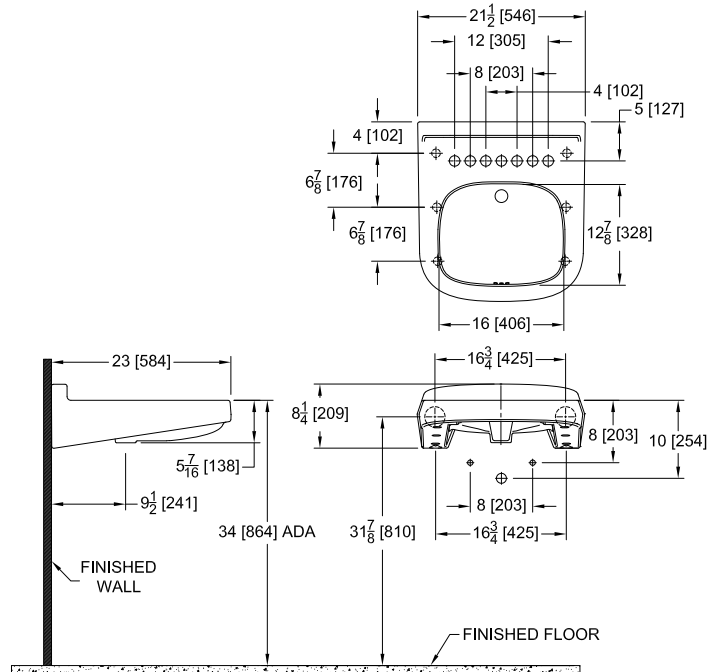
### Optional Trim:

- Z8746-PC ADA Grid Strainer
- Z8946-3-NT ADA Trap, Stop, and Supply Protectors for Offset Grid Strainer



### Configurations:

- Z5321 Lavatory with single faucet hole
- Z5324 Lavatory with 4" center faucet holes
- Z5328 Lavatory with 8" center faucet holes



### Rough-in/Overview dimensions for Z5320 Series

- Z5321 Lavatory with single hole faucet
- Z5324 Lavatory with 4" center faucet holes
- Z5328 Lavatory with 8" center faucet holes

See Zurn One Systems for suggested packages.

Architectural/Engineering Approval

The information contained in this document is subject to change without notice. Please contact Zurn for most up to date information.

### Compliance and Certification:

- ADA Compliant



Meets the American Disabilities Guidelines and ANSI A117.1 requirements when installed 34"[84mm] from finished floor. Fixture dimensions meet ASME A112.19.2/CSA B45.1 requirements. In Canada - Consult local codes and standards.