



# Z5655-BWL1

HET Elongated Floor Mounted  
EcoVantage® Flush Valve Toilet System

TAG \_\_\_\_\_



## Z5655 Series Elongated

### Recommended Trim:

- Z5955SS-EL** Elongated, standard white, open front toilet seat less cover with stainless steel check hinge.
- Z5972-COMB** Closet bolt/wax ring kit

Note: To ensure system performance:  
Minimum Running Water Pressure = 25 psi



This product should be used with a WaterSense labeled counterpart with a compatible flush volume to ensure that the entire system meets the requirements for water efficiency and performance.

These dimensions and specifications are subject to change without notice.  
Fixture dimensions meet ANSI/ASME standard A112.19.2 and CAN/CSA B45 requirements.

### Z5655 HET Series

- Zurn High Efficiency Toilets and paired performance flush valve systems are designed to exceed industry standards while using as little as 1.1 gallons of water per flush.
- Universal high efficiency toilet can be specified with 1.1 gpf [4.2 lpf], 1.28 gpf [4.8 lpf], 1.6 gpf [6.0 lpf] or dual flush valves.
- Vitreous china
- Elongated front rim
- 2-1/8" fully glazed trapway
- High efficiency siphon jet flush action
- Shipping Weight: 55 lbs.

### Engineering Specification

#### Z5655-BWL1

**EcoVantage High Efficiency Toilet System**  
Vitreous China, 1.1 gpf [4.16 lpf] or greater high efficiency, floor mounted, bottom outlet toilet with siphon jet flushing action and elongated front rim with 1-1/2" top spud. This bowl is designed to perform to industry standards with as little as 1.1 gallons per flush.

\*Replaces Zurn Z5655

#### Z5656-BWL1

**EcoVantage High Efficiency Toilet System**  
Vitreous China, 1.1 gpf [4.16 lpf] or greater high efficiency, floor mounted, bottom outlet toilet with siphon jet flushing action and elongated front rim with integral bedpan lugs, and 1-1/2" top spud. This bowl is designed to perform to industry standards with as little as 1.1 gallons per flush.

\*Replaces Zurn Z5656

See Zurn One Systems for suggested packages.

Architectural/Engineering Approval

ZURN INDUSTRIES, LLC. ♦ COMMERCIAL BRASS OPERATION ♦ 5900 ELWIN BUCHANAN DRIVE ♦ SANFORD NC 27330

Phone: 1-800-997-3876 ♦ Fax: 919-775-3541 ♦ World Wide Web: www.zurn.com

In Canada: ZURN INDUSTRIES LIMITED ♦ 7900 Goreway Drive Unit 10 ♦ Brampton, Ontario L6T5W6 ♦ Phone: 905-405-8272 Fax: 905-405-1292



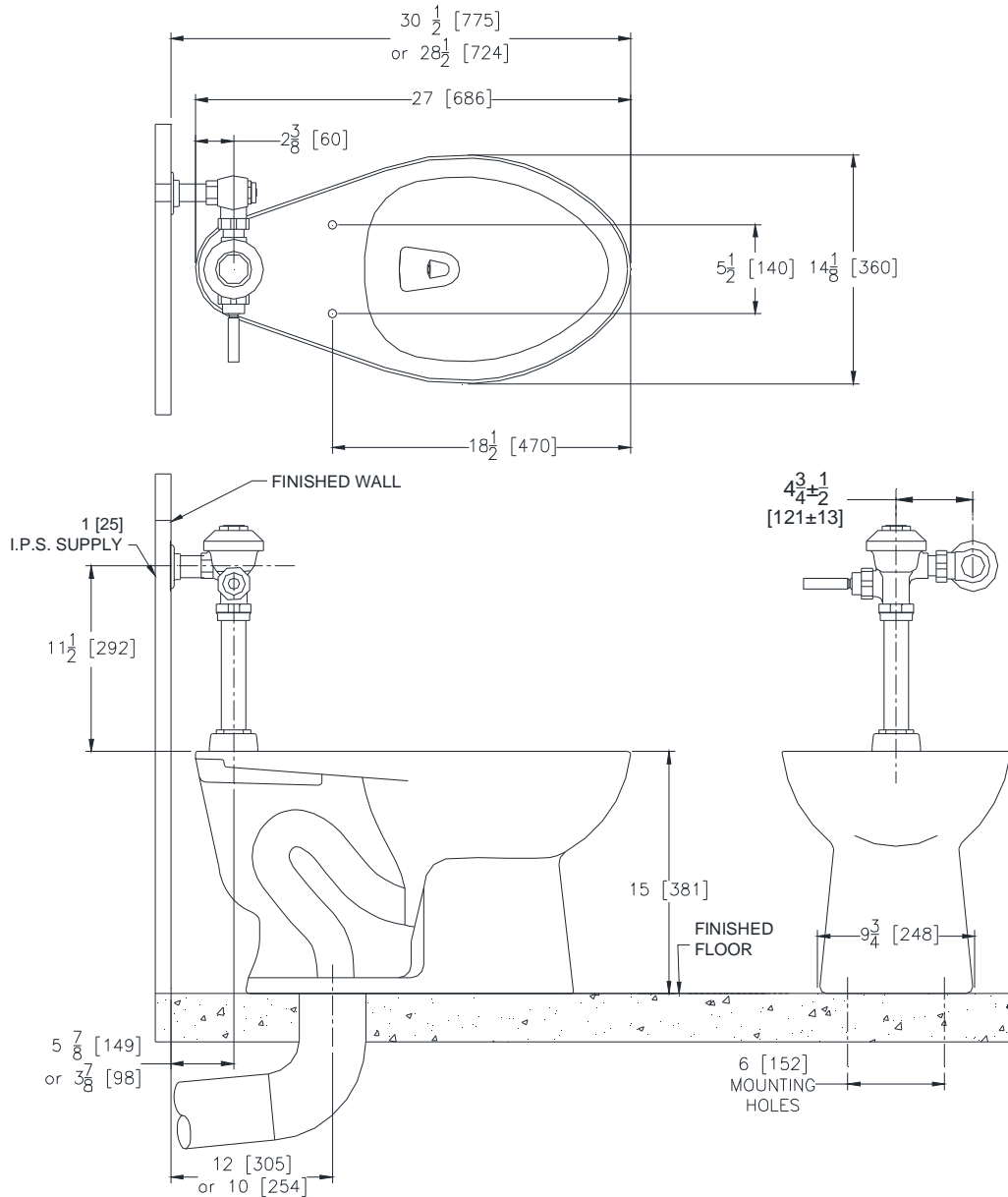
# Z5655-BWL1

HET Elongated Floor Mounted  
EcoVantage® Flush Valve Toilet System

TAG \_\_\_\_\_

Rough-in dimensions for Z5655 Series

- Z5655 with top spud, shown with Z6000AV-HET manual valve



These dimensions and specifications are subject to change without notice.

Fixture dimensions meet ANSI/ASME standard A112.19.2 and CAN/CSA B45 requirements.

ZURN INDUSTRIES, LLC. ♦ COMMERCIAL BRASS OPERATION ♦ 5900 ELWIN BUCHANAN DRIVE ♦ SANFORD NC 27330

Phone: 1-800-997-3876 ♦ Fax: 919-775-3541 ♦ World Wide Web: [www.zurn.com](http://www.zurn.com)

In Canada: ZURN INDUSTRIES LIMITED ♦ 7900 Goreway Drive Unit 10 ♦ Brampton, Ontario L6T5W6 ♦ Phone: 905-405-8272 Fax: 905-405-1292