



SINGLE CONTROL FAUCET Z81000-XL

TAG _____

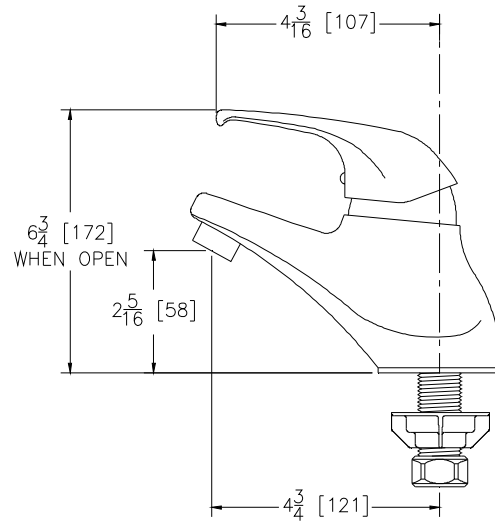
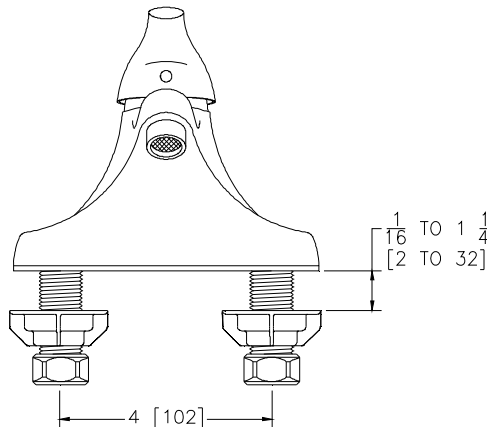


Engineering Specifications: Zurn AquaSpec Single Control Faucet Z81000-XL

Polished chrome plated cast brass 4" [102mm] centerset single control lavatory faucet, a ceramic disc cartridge and a temperature limit stop. Unit is furnished with 2.2 GPM [8.3 L] aerator (complying with ANSI A112.18.1M Standard for flow), an ADA compliant lever handle, mounting hardware, 1/2" NPSM coupling nuts for standard lavatory risers, and pop-up hole plugged.

Zurn Lead Free products (-XL) is the line of durable, high quality brass faucets and fixtures that are designed and manufactured to comply with Section 1417 of the Safe Drinking Water Act (SDWA) which mandates the weighted average lead content of no more than 0.25% of the wetted surface.

* This product should be used with a WaterSense labeled counterpart with a compatible flush volume to ensure that the entire system meets the requirements for water efficiency and performance.



OPTIONAL ACCESSORIES

Note: All dimensions are for reference only. Do not use for pre-plumbing

Suffix	Description
□ -G	1-1/4" [32mm] Grid Strainer Drain
□ -P	1-1/4" [32mm] Pop-up Drain
□ -PT	1-1/4" [32mm] Cast Brass P-Trap with a 7-1/2" [191mm] Long 17-Gauge Wall Bend
□ -1M	2.2 GPM [8.3 L] Variable-Pressure Compensating Male Aerator
□ -2M	2.2 GPM [8.3 L] Vandal-Resistant Pressure Compensating Male Aerator
□ -3M	0.5 GPM [1.9 L] Vandal-Resistant Pressure Compensating Male Spray Outlet
□ -4M	2.2 GPM [8.3 L] Vandal-Resistant Pressure Compensating Male Laminar Flow
□ -7M*	1.0 GPM [3.8 L] Pressure Compensating Male Spray Outlet
□ -16M	1.0 GPM [3.8 L] Vandal-Resistant Pressure Compensating Male Spray Outlet
□ -17M*	1.5 GPM [5.7 L] Vandal-Resistant Pressure Compensating Male Aerator
□ -18M*	1.5 GPM [5.7 L] Vandal-Resistant Pressure Compensating Laminar Flow
□ -19M*	1.5 GPM [5.7 L] Anti-Microbial Pressure Compensating Male Laminar Flow Outlet
□ -21M	1.0 GPM [3.8L] Male Laminar Flow Outlet-SW Side Wall Mounted Hydraulic Actuator
□ -22M	1.0 GPM [3.8L] Vandal-Resistant Male Laminar Flow Outlet
□ -23M	1.5 GPM [5.7L] Pressure Compensating Male Aerator
□ -24M	0.35 GPM [1.3 L] Pressure Compensating Male Spray Outlet
□ -25M	0.35 GPM [1.3 L] Vandal-Resistant Pressure Compensating Male Spray Outlet
□ -28M	0.5 GPM [1.9 L] 13/16-27 Jr Male Laminar Flow Outlet

ZURN INDUSTRIES, LLC. ♦ COMMERCIAL BRASS OPERATION ♦ 5900 ELWIN BUCHANAN DRIVE ♦ SANFORD NC 27330

Phone: 1-800-997-3876 ♦ Fax: 919-775-3541 ♦ World Wide Web: www.zurn.com

In Canada: ZURN INDUSTRIES LIMITED ♦ 7900 Goreway Drive Unit 10 ♦ Brampton, Ontario L6T5W6 ♦ Phone: 905-405-8272 Fax: 905-405-1292