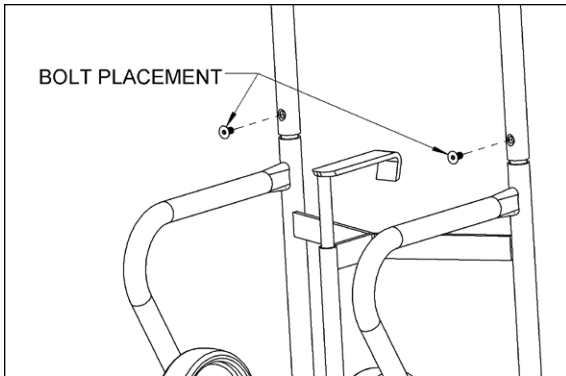


#### Parts List and Diagram for Model 160-WP 4-Wheel Drum Truck with Pneumatic Wheels Serial Number 1215 to \_\_\_\_\_



For replacement parts, please contact your Morse dealer.

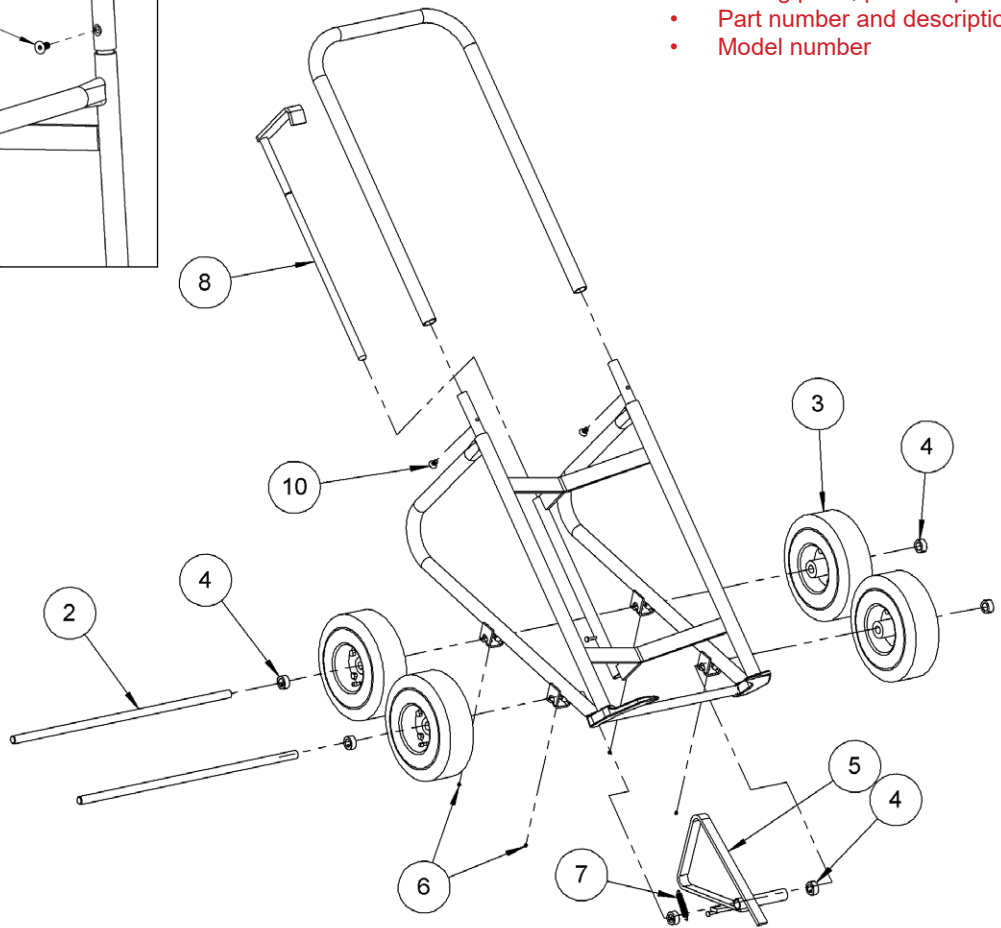
When ordering parts, please specify:

- Part number and description
- Model number

**IMPORTANT NOTE**

4-Digit serial numbers are simply the month & year of manufacture

Example: 0802 is August 2002



**WARNING:** This product can expose you to chemicals including barium sulfate, cobalt, titanium dioxide, and 2-methylimidazole, which are known to the State of California to cause cancer, and bisphenol-A, which is known to the State of California to cause birth defects or other reproductive harm.

ITEM NO.	PART NUMBER	DESCRIPTION	QTY.
2	1381-P	AXLE, 25.5", 160-WP	2
3	1379-P	WHEEL, PNEUMATIC 10", 160-WP	4
4	15-P	COLLAR, 3/4" ID	6
5	1369-P	STAND WELD, 160	1
6	1000-P	SET SCREW, 1/4 - 20 X 1/4	4
7	1114-P	SPRING, EXTENSION, 160	1
8	5941-P	HOOK WELD, 160	1
10	4685-P	SHCS, 3/8-16 X 3/4 FH	2

For more information go to [www.P65Warnings.ca.gov](http://www.P65Warnings.ca.gov)