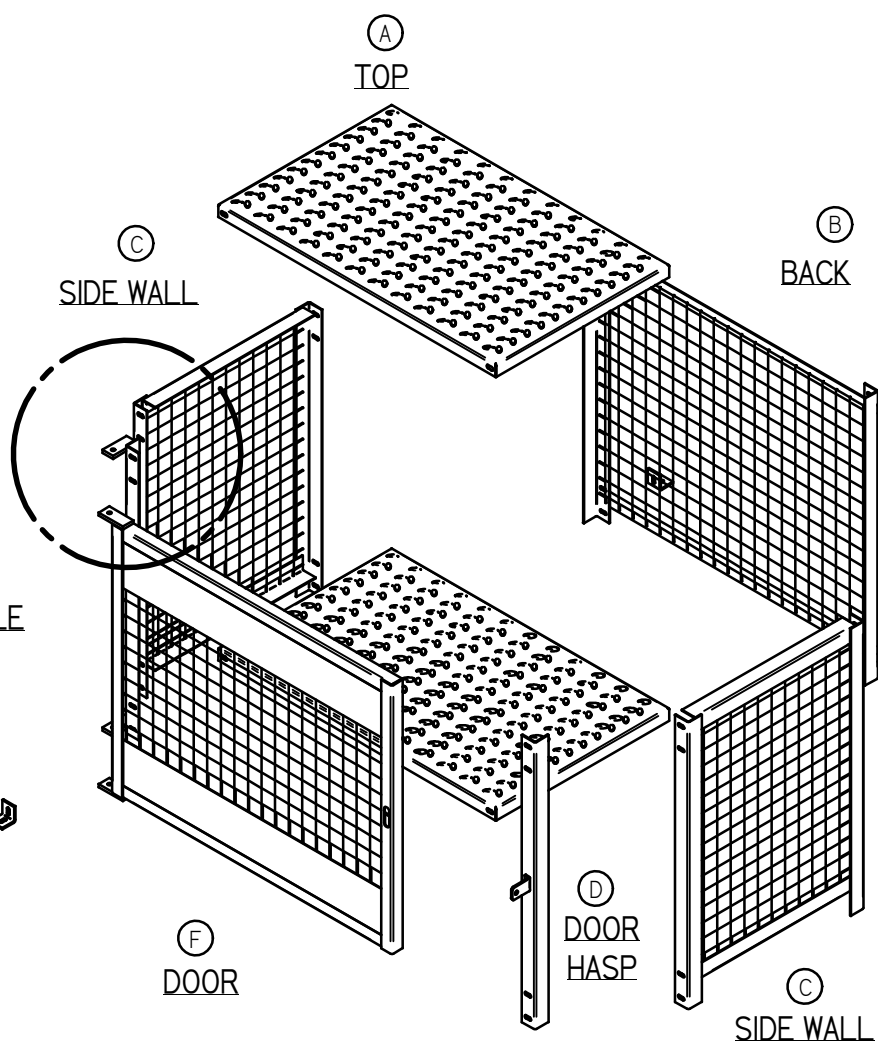


DOOR HINGE
DETAIL



INSTRUCTION

- 1) 2 HEX BOLTS 1/2" X 1 3/4"
- 2) 2 FLAT WASHER 1/2"
- 3) 2 LOCKNUTS 1/2"
- 4) 8 CARRIAGE BOLTS 3/8" X 1"
- 5) 8 LOCK NUTS 3/8"

- A) 1 TOP
- B) 1 BACK
- C) 2 SIDE WALLS
- D) 1 DOOR HASP
- E) 1 HINGE ANGLE
- F) 1 DOOR
- G) 4 FEET

- 2 SHELVES C/W
- 4 CARRIAGE BOLTS 3/8" X 1"
- 4 LOCK NUTS 3/8"

INSTRUCTIONS

1-TTHIS CAGE ASSEMBLY CAN BE INSTALLED WITH THE DOOR ORIENTED FOR LEFT OR RIGHT ACCESS. THIS DRAWING SHOWS LEFT HANDED ACCESS. FOR RIGHT HANDED ACCESS INVERT BOTH HINGE ANGLE AND DOOR HASP, SEE ITEMS D AND E.

2-ATTACH TOP, BACK, BOTH SIDE WALLS AND DOOR HINGE TOGETHER USING 3/8" CARRIAGE BOLTS AND 3/8" LOCK NUTS. LEAVE BOLTS LOOSE TO ALLOW FOR ADJUSTEMENTS.

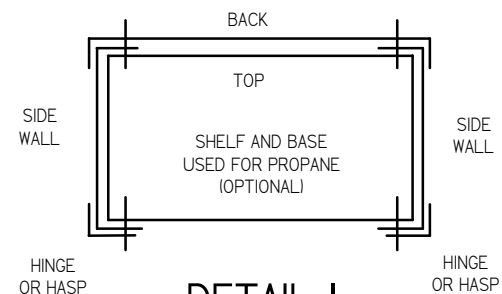
3-INSTALL DOOR TO THE HINGE USING 1/2" HEX BOLTS, 1/2" WASHERS AND 1/2" LOCK NUTS. THE WASHER IS PLACED BETWEEN THE HINGE AND DOOR TO ALLOW THE DOOR TO SWING SMOOTHLY. LEAVE BOLTS LOOSE TO ALLOW ADJUSTEMENTS.

4-ATTACH FEET TO THE CAGE ASSEMBLY WITH 3/8" CARRIAGE BOLTS AND 3/8" LOCK NUTS. FEET ALLOW THE CAGE TO BE BOLTED TO THE FLOOR. (CONCRETE ANCHOR BOLTS NOT INCLUDED).

5-ENSURE THE GAS CYLINDER CAGE IS SQUARE AND TIGHTEN ALL BOLTS IN PLACE.

6 CYLINDERS PROPANE CAGE

ASSEMBLY INSTRUCTIONS



DETAIL I
SEE NOTE 1

KLETON