



# Instruction Manual

## *Double Scissors High Lift Table*

Part Number: 260204



**Note: Operator MUST read and understand these operating instructions before using this Double Scissors High Lift Table.**

### TABLE OF CONTENTS

1	General Information .....	2
1.1	Description.....	2
1.2	Specifications.....	2
2	Safety Information.....	2
3	Daily Inspection.....	3
4	Operation.....	3
4.1	Braking.....	3
4.2	Lifting.....	3
4.3	Lowering.....	3
5	Maintenance.....	3
6	Part Information.....	4
6.1	Frame Diagram.....	4
6.2	Frame Part List.....	5
6.3	Pump Diagram.....	6
6.4	Pump Part List.....	7

## **1. GENERAL INFORMATION**

### **1.1 DESCRIPTION**

Thank you for purchasing a Double Scissor High Lift Table. These tables feature a fixed, chrome plated lever release handle, a foot operated pump and locking swivel casters.

### **1.2 SPECIFICATIONS**

Part Number	<b>260204</b>
Model	LT-770DSL
Capacity	770 lbs
Table Size	19.5" x 35.5"
Table Thickness	.1"
Raised Height	51"
Lowered Height	14"
Caster Size	5" x 1.5"
Locking Caster	Yes
Weight	227 lbs

*Materials and specifications are subject to change without notice.*

## **2. SAFETY INFORMATION**

- 1) Read this operation manual carefully and understand completely operating procedures for this lift table.
- 2) This lift table is a movable lifter designed to lift or lower rated loads on table. DO NOT use the lift table for uses other than its intended use.
- 3) Do not put feet or hands in scissors mechanism.
- 4) Do not move lift table when table is in raised position.
- 5) Do not position yourself under the table.
- 6) Do not overload the lift table.
- 7) Do not use lift table on sloped or inclined surface, the lift table may become unstable.
- 8) Do not lift people.
- 9) Do not lower table too rapidly.
- 10) Do not place loads on the side or end of table. A load must be distributed on at least 80% of table area.
- 11) Do not use the lift table with unstable, unbalanced load.
- 12) Do not modify the lift table without manufacturer's written consent.
- 13) Use swivel locks to prevent the table from lowering when loading, unloading or servicing it.

ATTENTION: TO INSURE SAFE AND EASY USE OF YOUR SCISSORS LIFT TABLE,  
READ THESE INSTRUCTIONS ENTIRELY BEFORE USING.

---

### **3. DAILY INSPECTION**

Daily inspection is effective to find any malfunction or fault on the lift table. Check the lift table for the following before operation:

- 1) Check for any scratches, bending or cracking on the lift table.
- 2) Check if there is any oil leakage from the cylinder.
- 3) Check the vertical creep of the table.
- 4) Check the smooth movement of the wheels.
- 5) Check the brake.
- 6) Check all bolts and nuts are tightened firmly.

CAUTION: Do not use lift table if any malfunction or fault is found.

### **4. OPERATION**

#### **4.1 Braking**

CAUTION: Lift the brake when not moving it in order to prevent sudden movement.  
The brake is equipped with the swivel caster on the right side.

- 1) Brake the wheel by pressing the brake pedal.
- 2) Release the brake by lifting up the brake pedal.

#### **4.2 Lifting**

Warning

- 1) Do not overload lift table. Stay within its rated capacity.
- 2) Do not side or end. Load must be distributed on at least 80% of table area.

Press the lifting pedal several times until the table reaches the desired position. The table does not elevate after reaching the highest position even if the lifting pedal is pressed. The table lowers slightly after reaching the highest position.

<b>Model</b>	LT-770DSL
<b>Part Number</b>	260204
<b>Max Capacity (lbs)</b>	770

Note: The hydraulic cylinder is designed to hold the table. The nature of hydraulic systems cause the table to lower very slowly over an extended period of time. Please note the table does not stay at the same position indefinitely.

#### **4.3 Lowering**

Warning: Do not put foot or hand in scissors mechanism

- 1) Rotating the knob lowers the table.

### **5. MAINTENANCE**

5.1 Lubricate each point described below every month

5.2 Change hydraulic oil every 12 months.

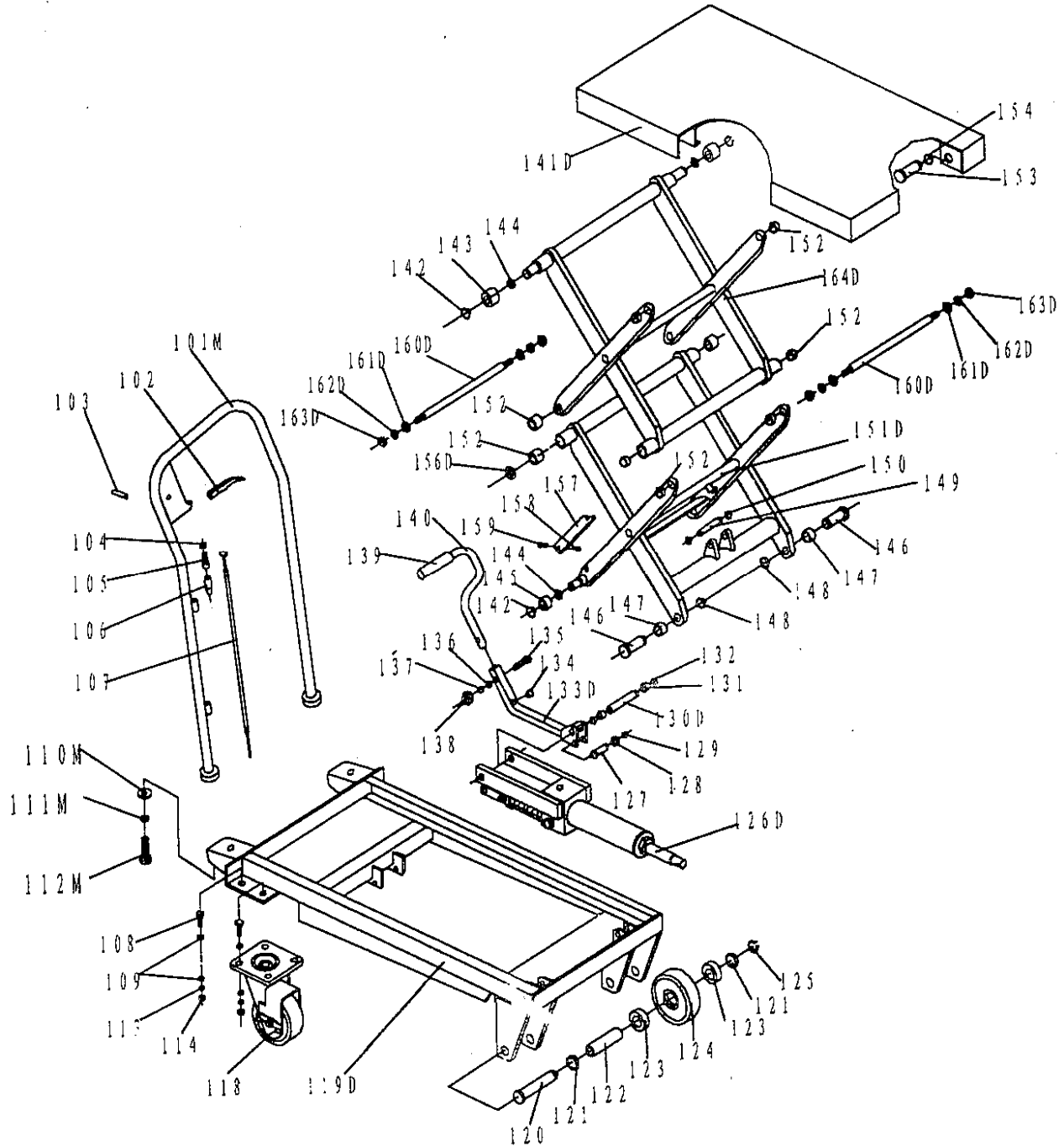
Lubricating Points

- 1) Fitting of Cylinder – Oil
- 2) Roller Friction Surface – Grease
- 3) Link Pin – Oil
- 4) Pedal Fitting Point – Oil
- 5) Grease Nipple - Grease

ATTENTION: TO INSURE SAFE AND EASY USE OF YOUR SCISSORS LIFT TABLE, READ THESE INSTRUCTIONS ENTIRELY BEFORE USING.

**6. PART INFORMATION**

**6.1 FRAME DIAGRAM**



ATTENTION: TO INSURE SAFE AND EASY USE OF YOUR SCISSORS LIFT TABLE,  
READ THESE INSTRUCTIONS ENTIRELY BEFORE USING.

**6. PART INFORMATION**

**6.2 FRAME PART LIST**

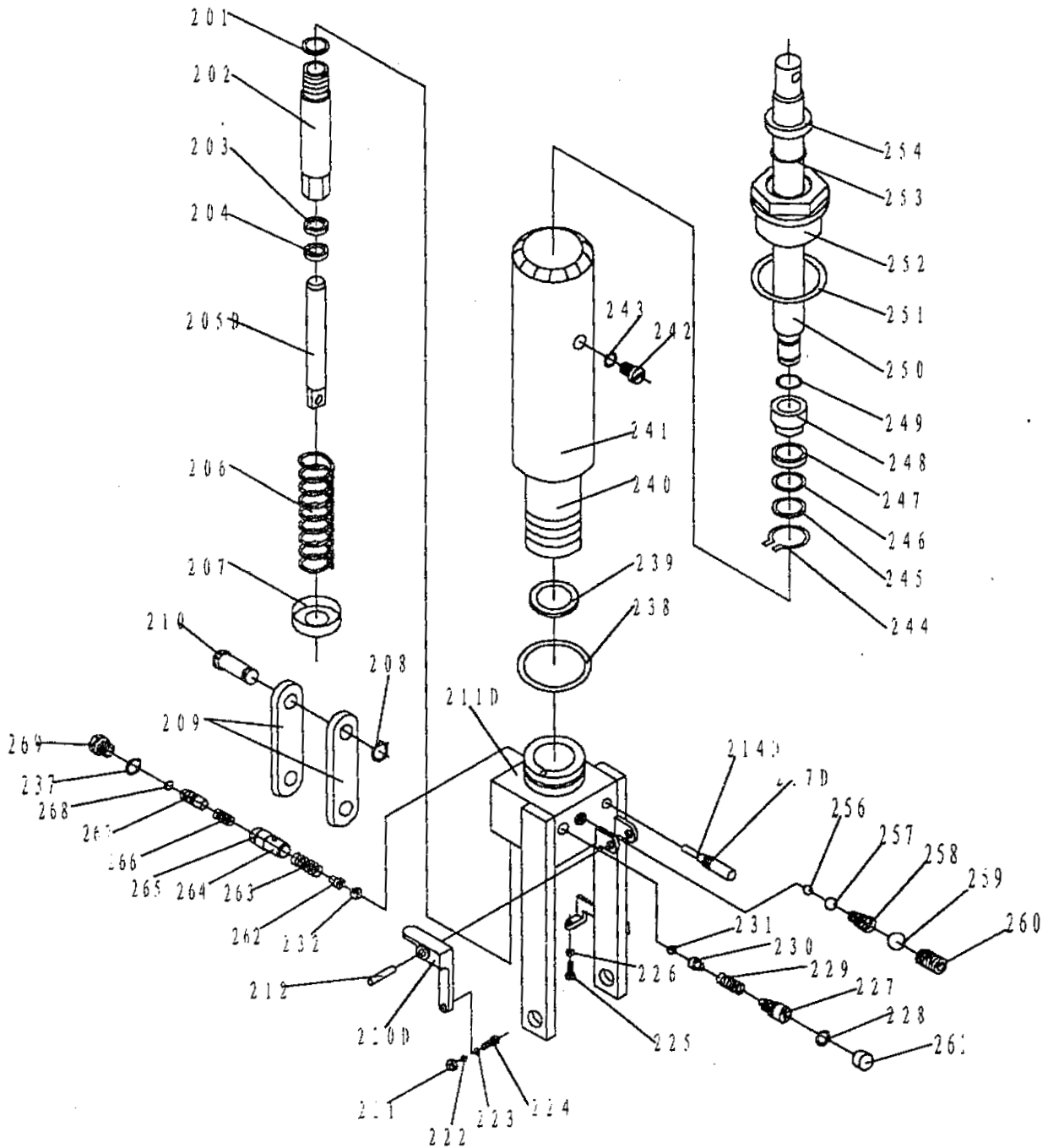
Item	P/N	Item Description	Qty.
101M		Handle Grip	1
102	Kit: Handle Release Assembly 260251	Control Handle	1
103		Elastic Pin	1
104		Nut	1
105		Bolt with Hole	1
106		Jacket	1
107		Pull Rod	1
108		Bolt	8
109	Washer	16	
110M		Big Washer	2
111M		Elastic Washer	2
112M		Bolt	2
118	273404	Universal Wheel	2
119D		Frame	1
120	273940	Pin	2
121	273941	Washer	4
122	273942	Axle	2
123	273406	Bearing	4
124	273405	Wheel	2
125	273943	Retaining Ring	2
126D	260211	Pump unit	1
127		Pin	1
128		Washer	1
129		Retaining Ring	2
130D		Pin	1
131		Washer	2
132		Retaining Ring	2
133D		Connecting Rod	1
134		Cushion	1

Item	P/N	Item Description	Qty.
135		Bolt	1
136		Washer	1
137		Elastic Washer	1
138		Nut	1
139	273416	Protecting Cover	1
140	273417	Pedal Bar	1
141D		Table	1
142		Retaining Ring	2
143		Roller	2
144		Washer	2
145		Roller	2
146		Pin	2
147		Bushing	2
148		Retaining Ring	2
149		Pin	1
150		Retaining Ring	2
151D		Fork Arm	1
152		Bushing	8
153		Pin	2
154		Retaining Ring	2
156		Elastic Pin	2
157		Support Plank	2
158		Screw	2
159		Nut	2
160D		Long Shaft	2
161D		Washer	4
162D		Washer	4
163D		Nut	4

ATTENTION: TO INSURE SAFE AND EASY USE OF YOUR SCISSORS LIFT TABLE,  
READ THESE INSTRUCTIONS ENTIRELY BEFORE USING.

**6. PART INFORMATION**

**6.3 PUMP PART DIAGRAM**



ATTENTION: TO INSURE SAFE AND EASY USE OF YOUR SCISSORS LIFT TABLE,  
READ THESE INSTRUCTIONS ENTIRELY BEFORE USING.

**6. PART INFORMATION**

**6.4 PUMP PART LIST**

Item	P/N	Item Description	Qty.
	260211	Complete Pump Replacement	1
	260210	Seal Kit	1
201		Seal Washer	1
202	273408	Pump Cylinder	1
203		Dust Ring	1
204		Y-Seal	1
205D		Pump Piston	1
206		Spring	1
207		Spring Cap	1
208		Retaining Ring	1
209		Joint Plate	2
210		Pin	1
211D		Pump Body	1
212		Elastic Pin	1
214D		Strike Pin	1
217D		O-Ring	2
220D		Lever Plate	1
221		Nut	1
222		Elastic Washer	1
223		Washer	1
224		Bolt with Hole	1
225		Bolt with Hole	1
226		Nut	1
227		Adjusting Bolt	1
228		O-Ring	1
229		Spring	1
230		Seat of Steel Ball	1
231		Steel Ball	1
232		Steel Ball	1
237		Seal Washer	1
238		O-Ring	1

Item	P/N	Item Description	Qty.
239		Seal Washer	1
240		Cylinder	1
241		Housing	1
242		Bolt	1
243		Seal Washer	1
244		Retaining Ring	1
245		Washer	1
246		O-Ring	1
247		Cup Packing	1
248		Piston	1
249		O-Ring	1
250		Piston Rod	1
251		Seal Washer	1
252		Cylinder Cap	1
253		O-Ring	1
254		Dust Ring	1
256		Steel Ball	1
257		Steel Ball	1
258		Spring	1
259		Steel Ball	1
260		Screw	1
261		Cup	1
262		Seat of Steel Ball	1
263		Spring	1
264		Core of Valve	1
265		O-Ring	1
266		Spring	1
267		Core of Valve	1
268		Retaining Ring	1
269		Plug	1