



LED Loading Dock Lights

HEAVY-DUTY

- Rugged cast aluminum housing with LEDs built-in to the dock light housing
- Uses only 18 watts of energy
- Provides more light than a 300-watt spot light
- Ideal for food service industries or refrigerated warehouses
- LED light head is completely sealed with a shatterproof polycarbonate lens
- No fragile filament or glass parts to break
- On/off switch and strain relief located in the recessed back plate
- Rated for wet locations IP66, NEMA4
- All LED models have an average life of 60000 hours
- Certified for sale in Canada by an accredited certification body
- 5-year warranty



Model No.	Arm Length"	Wt. lbs.	Price /Each
ADJUSTABLE SINGLE STRUT			
XC696	24	18	
XC697	40	20	
XC698	60	23	
DOUBLE STRUT			
XC692	24	18	
XC693	40	21	
XC694	60	25	
XC695	90	34	
ADJUSTABLE DOUBLE STRUT			
XC699	40	26	
XC700	60	36	
XD023	H.D. LED head only	8	

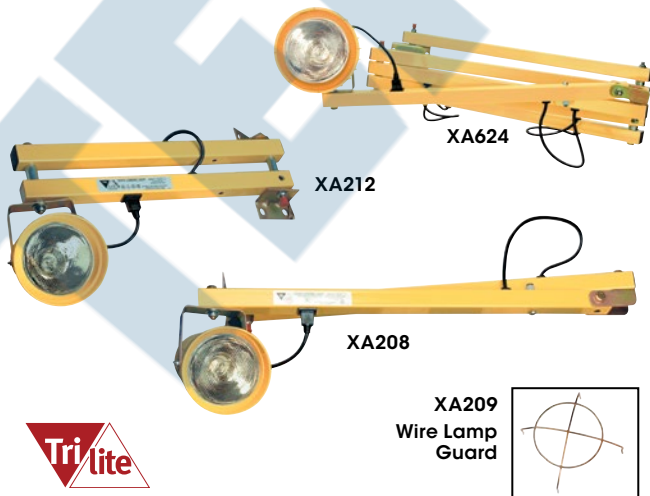
METAL OR POLYCARBONATE SERIES

- LED emits white light cool to the touch
- Uses only 14 watts of energy
- Provides the equivalent of a 150-watt incandescent bulb
- LEDs are built-in to the dock light housing; more durable than screw in type fixtures
- All LED models have an average life of 60000 hours
- **XD040** (DLGN-L1) model incorporates a stainless steel neck that bends to simplify positioning
- Certified for sale in Canada by an accredited certification body
- 5-year warranty

Model No.	Arm Length"	Head Type	Wt. lbs.	Price /Each
ADJUSTABLE SINGLE STRUT				
XD024	24	Metal	15	
XD025	40	Metal	18	
XD026	60	Metal	21	
XD027	24	Polycarbonate	15	
XD028	40	Polycarbonate	17	
XD029	60	Polycarbonate	20	
DOUBLE STRUT				
XD030	24	Metal	16	
XD031	40	Metal	18	
XD032	60	Metal	23	
XD033	24	Polycarbonate	15	
XD034	40	Polycarbonate	17	
XD035	60	Polycarbonate	22	
ADJUSTABLE DOUBLE STRUT				
XD036	40	Metal	23	
XD037	60	Metal	33	
XD038	40	Polycarbonate	23	
XD039	60	Polycarbonate	33	
GOOSENECK - FLEXIBLE STAINLESS STEEL NECK				
XD040	27"	Polycarbonate	10	
ACCESSORIES				
XD041	Metal LED modular, lamp head only		6	
XD042	Polycarbonate LED modular, lamp head only		5	

Dock Lights

- The adjustable models allow flexible horizontal and vertical positioning
- 1 1/2", 14-gauge square steel tubing
- Two-piece wall bracket assures secure mounting
- Available with either metal head or with a "cool to the touch" polycarbonate head that will not dent or break
- Comes with wire lamp guard
- Suitable for PAR-38 LED lamps
- Certified for sale in Canada by an accredited certification body



Model No.	Arm Length"	Head Type	Wt. lbs.	Price/Each
ADJUSTABLE SINGLE STRUT				
XA213	40	Metal	16	
XA208	60	Metal	21	
XC446	40	Polycarbonate	15	
XC447	60	Polycarbonate	20	
DOUBLE STRUT - HORIZONTAL POSITIONING ONLY				
XA212	24	Metal	16	
XA211	40	Metal	18	
XA214	60	Metal	23	
XA349	90	Metal	35	
XC448	24	Polycarbonate	15	
XC449	40	Polycarbonate	17	
XC450	60	Polycarbonate	22	
XC451	90	Polycarbonate	34	
ADJUSTABLE DOUBLE STRUT				
XA619	40	Metal	18	
XA620	60	Metal	21	
XA621	90	Metal	31	
XA623	40	Polycarbonate	17	
XA624	60	Polycarbonate	20	
XA625	90	Polycarbonate	30	
ACCESSORIES				
Model No.	Description			Price/Each
XA209	Replacement wire guard for metal head			
XC731	Replacement wire guard for polycarbonate head			
XC571	Replacement PAR-38 lamp			
XD043	Replacement PAR-38 LED lamp			
XC224	Replacement metal head			
XC445	Replacement polycarbonate head			