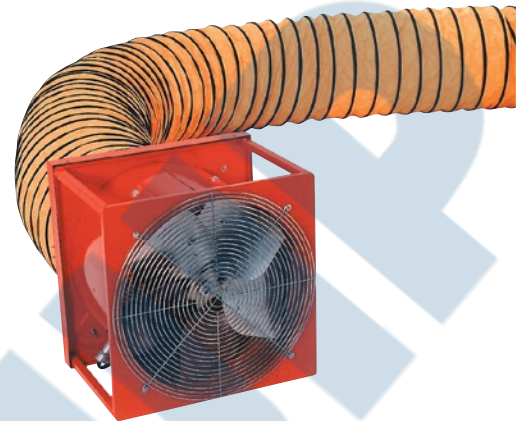




Smoke Ejectors

Remove smoke, welding fumes and undesirable contaminants from the air or bring clean air in. Reversible smoke ejectors are equipped with a totally enclosed ball bearing motor with automatic overload protection. Units are CSA approved. Explosion-proof models in accordance with Class 1 Group D/Class II Group EFG. All are 115 VAC, 1/3 HP, 1725 RPM equipped with a 6' power cord, cord holder and cadmium plated protection guards. Hoses are fire safe single ply neoprene impregnated nylon.

Model No.	Type	CFM @ 0.10" SP	L"	x	W"	x	H"	Fan Size"	Price /Each
BA099	Standard	1620	17	x	14 1/8	x	14 1/8	12	
BA101	Standard	3151	17	x	19 1/8	x	19 1/8	16	
BA103	Standard	3700	17	x	21 3/8	x	21 3/8	18	
BA102	Exp. Proof	3151	17	x	19 1/8	x	19 1/8	16	
BA104	Exp. Proof	3700	17	x	21 3/8	x	21 3/8	18	



COLLAR ADAPTORS

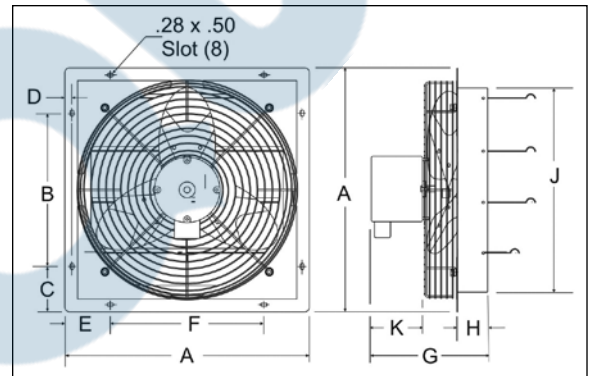
Model No.	Fan Size"	Price /Each
BA026	12	
BA028	16	
BA029	18	

FLEXIBLE HOSES

Model No.	Length'	Dia."	Price /Each
BA049	15	12	
BA050	20	16	
BA051	20	18	

Shutter Fans

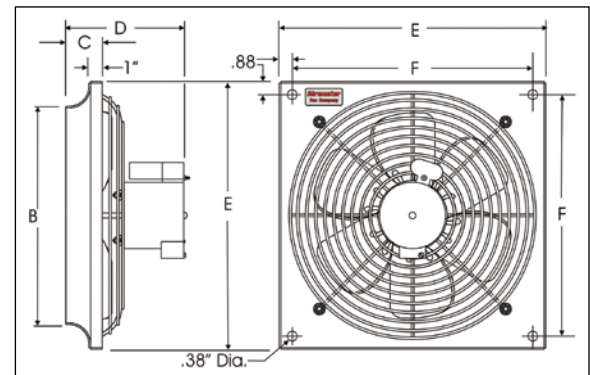
- 115 V motor 1 phase
- Totally enclosed motor
- Direct drive, low pressure
- Fully assembled, ready to Install
- Rear guard meets OSHA standards
- 24" and 30" : 3 speeds with pull chain motor, plug and cord included



Model No.	Fan Dia."	CV	0" S.P. CFM	1/8" S.P. CFM	A"	B"	F"	Dimensions			Panel Size (square)	Wall Opening (square)	Weight lbs.	Price /Each
					G"	H"	J"	K"						
EA368	7	1/30	121	60	11.1	4	4	8.06	2.38	8	3	11 1/8"	8 1/2"	10
EA369	10	1/30	611	318	13.1	6	6	8.06	2.38	10	3	13 1/8"	10 1/2"	10
EA370	12	1/30	815	490	15.1	8	8	8.06	2.38	12	3	15 1/8"	13"	12
EA371	16	1/20	1216	765	19.1	12	12	9.06	2.38	16	4	19 1/8"	17"	20
EA372	18	1/15	1877	752	21.1	14	14	11	2.5	18	4.8	21 1/8"	18 1/2"	25
EA373	20	1/15	2235	920	23.1	16	16	11	2.5	20	4.8	23 1/8"	20 1/2"	35
EA374	24	1/4	3214	2015	27.1	20	20	12.7	3	24	5	27 1/8"	25"	48
EA375	30	1/4	4970	3510	33.1	26	26	12.7	3	30	5	33 1/8"	30 1/2"	57

All Purpose Wall Fans

- 115 V motor
- Direct drive, low pressure
- Totally enclosed sleeve bearing motors
- Non-overloading propeller
- High efficiency, low operating cost
- Built-in rear guard
- Commercial-duty
- Four holes 0.38" dia.



Model No.	Fan Dia."	HP	RPM	Capacity (CFM) @ SP In. W.G.				Dimensions				Weight lbs.	Price /Each		
				0"	0.05"	0.10"	0.125"	0.20"	0.250"	A"	B"	C"	D"	E"	F"
EA376	10	1/30	1550	630	469	418	394	309	234	10	10 1/4	1 1/2	6	14	12.3
EA377	12	1/30	1550	897	843	754	689	503	378	12	12 1/4	1 1/2	8	16	14.3
EA378	16	1/9	1050	1881	1766	1626	1540	1169	814	16	16 1/2	1 3/4	9 1/2	20	18.3
EA379	18	1/9	1050	2504	2345	2149	2035	1553	884	18	18 1/2	1 3/4	10	22	20.3