



Multi-Purpose MIG Pliers

- Eight-way pliers
- Nickel plated finish
- Ideally suited for removal of hot spatter from nozzle ends, as well as many other uses



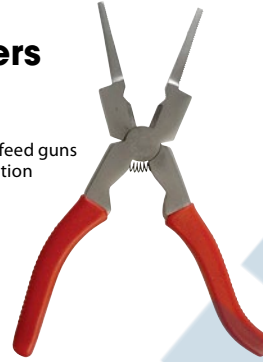
NP537



Model No.	Description	Price /Each
TYX128	Premium Pliers	
NP537	Pliers	
NT666	Holster for Pliers	

Matador® Welder's Pliers

- Ideal for installing tips, nozzles and bushings, cutting and hammering
- Universal use for all wire feed guns
- Vanadium-steel construction is tough, durable
- Satin finish reduces rust



Model No.	Mfg. No.	Price /Each
899-1700	4705008	

MIG Nozzle Reamers

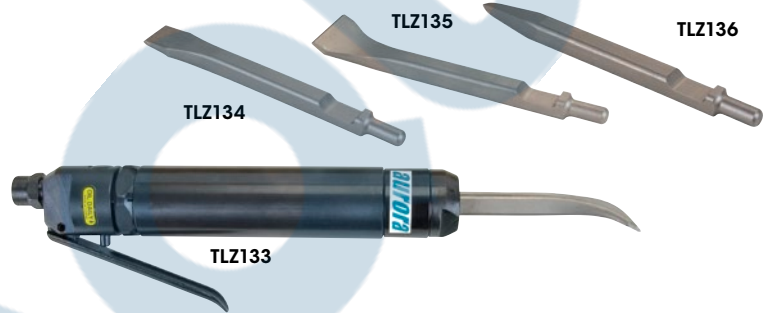
- Cleans hot MIG nozzle on the torch
- Self adjusting to fit all size nozzles
- Expanding spring steel cleaner

Model No. TTU660
Price/Each \$



Air Flux Chippers

- Lightweight and compact design permits increased operator efficiency
- Paddle style trigger offers better speed control and precision
- Low noise, low vibration
- Durable
- Comes with 35 mm flat chisel
- Overall length: 10 1/4"
- Weight: 4.1 lbs.



aurora tools®

Model No.	Stroke in mm	Blows per minute BPM	Average Air Consumption CFM	Air Inlet	Hose Size in mm	Vibrations Less Than m/s ²	Sound Pressure Level dB(A)	Price /Each
TLZ133	1 1/2 38	4400	9	1/4" - 18 NPT	3/8 9.5	10.2	92	

ACCESSORIES

Model No.	Description	Price/Each
TLZ134	20 mm Flat Chisel	
TLZ135	35 mm Flat Chisel	
TLZ136	Moil Pointed Chisel	

Canada's Best Value in Industrial Tools

aurora tools®